

STOCK SALE

up to **80% Discount**

Twist Drill TS

Twist drill in material quality TS
 two cutting edges
 centre point and spurs
 right-hand or left-hand rotation
 parallel shank

for drilling blind and through holes
 in softwood
 for use on portable and upright
 boring machines etc.



D	NL	GL	S	Rotating direction	Part number	€	€ new
7	70	110	7x35	right-hand	205.070.000.SP.R	7,09	1,42
7	80	145	13x50	right-hand	213.070.000.SP.R	17,15	3,43
7	80	145	13x50	left-hand	213.070.000.SP.L	7,15	3,43
8	65	100	8x30	right-hand	208.080.000.SP.R	7,33	1,47
8	85	150	13x50	left-hand	213.080.000.SP.L	17,15	3,43
9	80	130	9x45	right-hand	205.090.000.SP.R	17,51	1,56
10	95	160	13x50	right-hand	213.100.000.SP.R	18,28	3,66
12	100	155	12x50	right-hand	205.120.000.SP.R	11,71	2,34
12	105	170	13x50	right-hand	213.120.000.SP.R	20,54	4,11
14	115	180	13x50	right-hand	213.140.000.SP.R	27,29	4,46
15	120	185	13x50	left-hand	213.150.000.SP.L	27,13	4,81
16	125	190	16x50	right-hand	213.160.000.SP.R	24,03	4,81
18	65	100	8x30	right-hand	208.180.000.SP.R	73,80	2,76
18	100	140	10x30	right-hand	210.180.000.SP.R	8,40	3,70
18	130	200	16x50	right-hand	213.180.000.SP.R	27,42	5,48
18	130	200	16x50	left-hand	213.180.000.SP.L	27,42	5,48
20	140	210	16x50	right-hand	213.200.000.SP.R	29,68	5,94

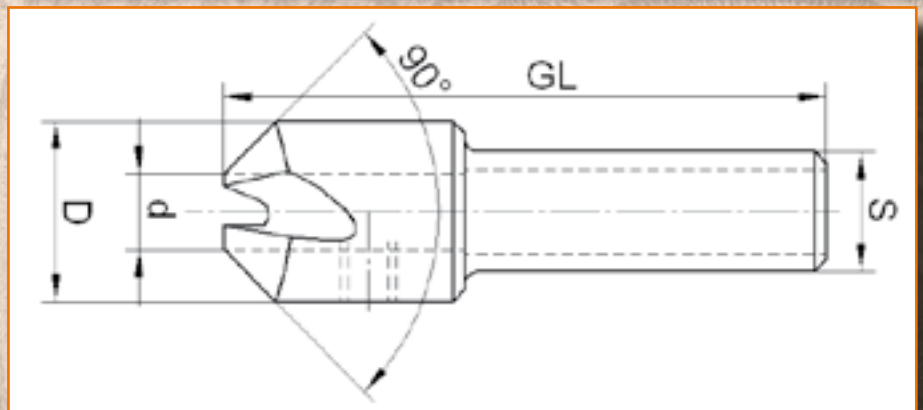
**STOCK
SALE**

over 80% Discount

Countersink TS

Countersink in material quality TS
 two cutting edges
 countersink angle 90°
 right-hand or left-hand rotation
 with bore and cramplng screw
 stepped parallel shank

for counter sinking of holes
 in softwood
 for mounting on throughout
 cylindrical twist drills



d	D	GL	S	Rotating direction	Part number	€	€ new
4	15	58	10x30	right-hand	250.040.000.SP.R	15,41	3,08
5	15	58	10x30	right-hand	250.050.000.SP.R	15,41	3,08
5,5	15	58	10x30	right-hand	250.055.000.SP.R	15,41	3,08
7	15	58	13x30	right-hand	250.070.000.SP.R	15,41	3,08
8	20	58	13x30	left-hand	250.080.000.SP.L	15,41	3,08